



SHOWY

Since 1984

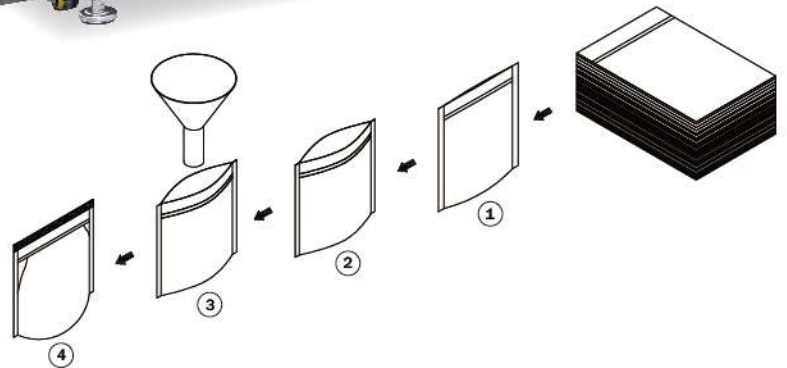


SY-M510 Automatic Pouch Pre-Open/Fill/Seal Machine

Zipper Bag Opening Function



◀ Compatible with various types of measuring devices



Machine Features:

1. Zipper bag opening function
2. Easy operation, with PLC Man-Machine touch screen.
3. Preferred model for small-batch, diverse packaging.
4. Preferred backup machine.
5. Automatic bag width adjustment.
6. Compatible with various types of measuring devices.

Work Process:

- ① Pre-made bag storage rack
- ② Automatic bag retrieval
- ③ Automatic Zipper Bag Opening Function
- ④ Bag opening and filling
- ⑤ Sealing and discharge

Packaging Range:

Suitable for Daily Production Capacity of 300-500 Bags. Various pre-made bag packaging products including food, chemical, hardware parts, etc.

Applicable Bag Types:

Three-side sealed pre-made bags, flat bags, Stand-up pouches, zipper bags.

Machine Specifications :

Packaging Speed	1 to 10 bags/min (depending on product characteristics)
Power Supply	Single Phase / AC220 3ψ
Packaging Bag Size	Width : 130mm~250mm Length : 150mm~300mm
Machine Dimensions	L2050mm × W800m × H1350mm



Showy Industrial Co., Ltd.

No. 7, Lane 176, Neixin Street, Dali Dist., Taichung City 41251, Taiwan

TEL: 886-4-24874507 FAX: 886-4-24860373 <http://www.showy.com.tw> E-mail: showy@showy.com.tw